

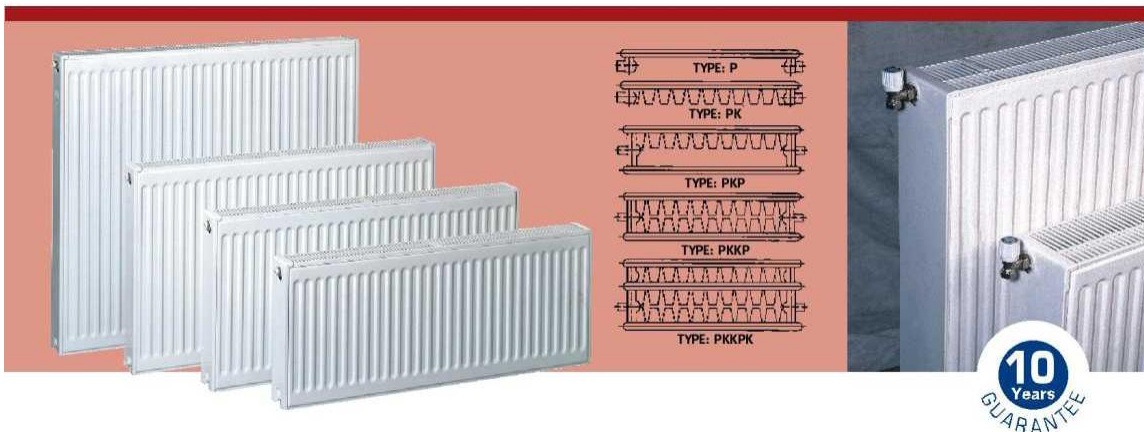


Moderatom PANEL RADIATOR

MODERATOM Panel radiators are manufactured as 4 types with 4 different height and 20 different length options. Our product types are PK, PKP, PKKP, DKEK / Heights: 400/500/600/900 mm. / Lengths: Between 400 mm. and 3000 mm. The manufacturing process is in compliance with the European Standard EN 442 norms and each unit is tested individually. The production is made by full automatic production lines with the highest technology.



Special steel sheets are formed by the latest technological equipments and after being treated by many processes against corrosion, the panel radiators are painted with the most developed technology, epoxy polyester powder painting system, color RAL 9010. Each radiator is supplied with factory fitted top grille and side panels, with a high gloss two-stage powder coated white finish, wall brackets, blanking plug and directional air vent as standard. Each radiator is pressure tested to 13 bar with a 7 bar working pressure. The individual wrapping can be left in place during installation and can be removed on completion, therefore reducing the risk of paint finish damage.



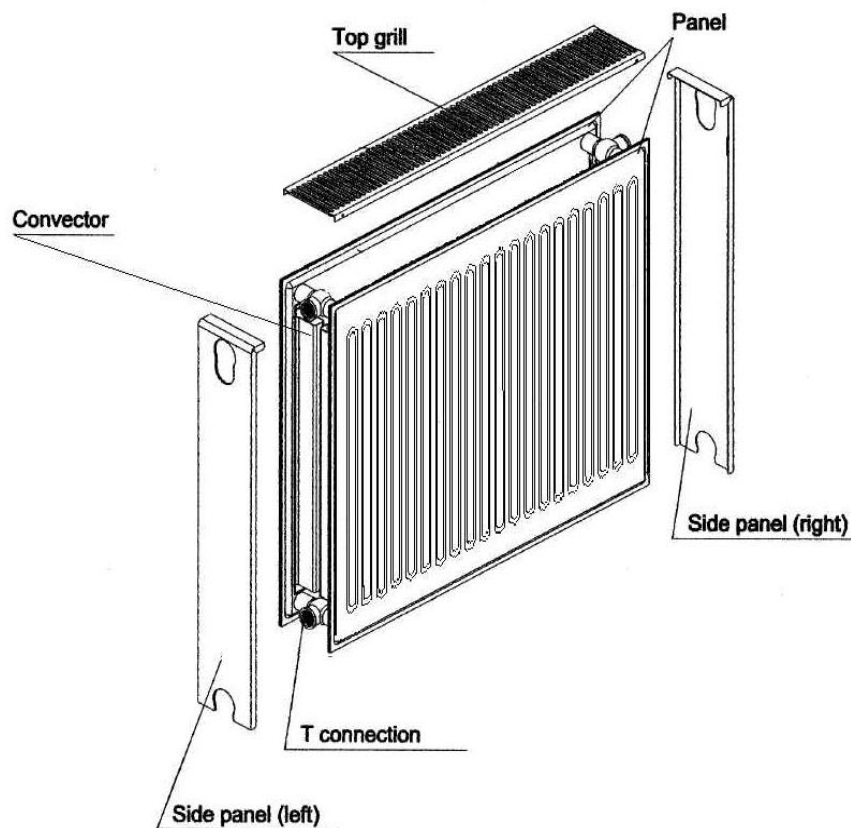
TECHNICAL INFORMATIONS:

Moderatom Steel Panel Radiators are made from high quality cold steel with a nominal thickness of 1,11 - 1,15 mm. Technical properties are given below.

| | |
|---|--|
| Material of panel | 1.15 mm steel |
| Material of convector | 0.30 mm steel |
| Material of top and side panels | 0.80 mm steel |
| Standard for panel and convector material | St 12.03 DIN 1623 / EN 10130 |
| Maximum working pressure | 7 Bar (10 bar on request) |
| Test pressure | 10 Bar (13 bar on request) |
| Maximum working temperature | 120° C |
| Color | RAL 9010 (90 gloss) |
| Painting | Premier paint by immersion method and top coat with Electrostatic powder-coating |

MAIN COMPONENTS

The radiators are supplied to the customers with side panels and top grill mounted and packed with expedient packaging techniques. The package is strengthened against possible damages during transportation. Protective cardboards cover the corners of the radiator. The top grill and the side panels mounted on the radiator are easily removable for access and cleaning. The side panels and the top grill can also be mounted after the radiator is installed on the wall.

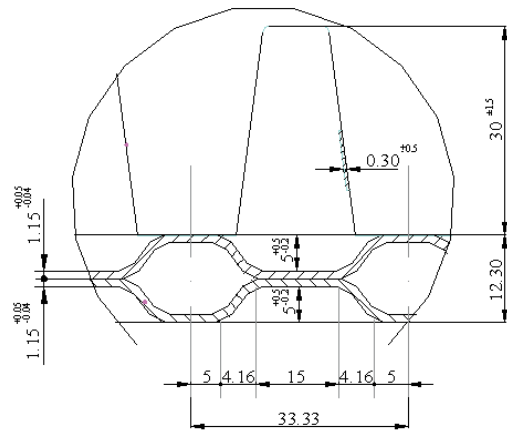


| Technical Properties (Heat Capacity 90 - 70°C) | | | | | | | | | | | |
|--|--------|-------|-------|--------|-------|--------|-------|--------|-------|--------|-------|
| Room Temperature (Length of 1000 mm.) | | | | | | | | | | | |
| Type | Height | 18°C | | 20°C | | 22°C | | 24°C | | 26°C | |
| | | mm | btu/h | kcal/h | btu/h | kcal/h | btu/h | kcal/h | btu/h | kcal/h | btu/h |
| 11 - PK | 400 | 3452 | 870 | 3302 | 832 | 3159 | 796 | 3004 | 757 | 2857 | 720 |
| | 500 | 4040 | 1018 | 3869 | 975 | 3694 | 931 | 3516 | 886 | 3345 | 843 |
| | 600 | 4730 | 1192 | 4524 | 1140 | 4325 | 1090 | 4115 | 1037 | 3917 | 987 |
| | 900 | 6631 | 1671 | 6345 | 1599 | 6059 | 1527 | 5770 | 1454 | 5492 | 1384 |
| 21 - PKP | 400 | 4750 | 1197 | 4548 | 1146 | 4337 | 1093 | 4131 | 1041 | 3929 | 990 |
| | 500 | 6147 | 1549 | 5889 | 1484 | 5635 | 1420 | 5365 | 1352 | 5111 | 1288 |
| | 600 | 6262 | 1578 | 5992 | 1510 | 5718 | 1441 | 5448 | 1373 | 5183 | 1306 |
| | 900 | 8448 | 2129 | 8080 | 2036 | 7714 | 1944 | 7357 | 1854 | 6996 | 1763 |
| 22 - PKKP | 400 | 6675 | 1682 | 6393 | 1611 | 6107 | 1539 | 5818 | 1466 | 5540 | 1396 |
| | 500 | 7758 | 1955 | 7428 | 1872 | 7091 | 1787 | 6766 | 1705 | 6425 | 1619 |
| | 600 | 9349 | 2356 | 8945 | 2254 | 8544 | 2153 | 8135 | 2050 | 7738 | 1950 |
| | 900 | 12357 | 3114 | 11818 | 2978 | 11286 | 2844 | 10738 | 2706 | 10210 | 2573 |
| 33 - PKKPKP | 400 | 9849 | 2482 | 9429 | 2376 | 9012 | 2271 | 8587 | 2164 | 8179 | 2061 |
| | 500 | 11591 | 2921 | 11103 | 2798 | 10611 | 2674 | 10103 | 2546 | 9623 | 2425 |
| | 600 | 13199 | 3326 | 12627 | 3182 | 12068 | 3041 | 11492 | 2896 | 10933 | 2755 |
| | 900 | 16099 | 4057 | 15397 | 3880 | 14710 | 3707 | 13996 | 3527 | 13302 | 3352 |

MODELS and CODING

Panel radiators consist of panels which water circulate through the circulation channels inside and the convectors which are welded onto these panels, creating more surface area for heat transfer. The radiator types are defined according to the number of panels and convectors in the radiator. These types are as following:

| Type | Description |
|------|--|
| 10 | Panel |
| 11 | Panel + Convector |
| 21 | Panel + Convector + Panel |
| 22 | Panel + Convector + Convector + Panel |
| 33 | Panel + Con. + Con. + Panel + Con. + Panel |
| COM | Radiator with compact valve |

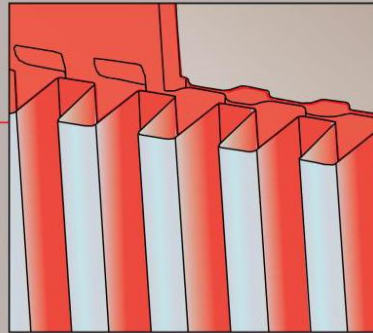
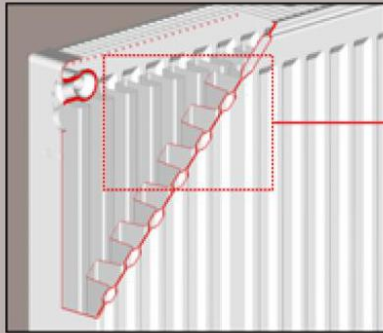


EN 442

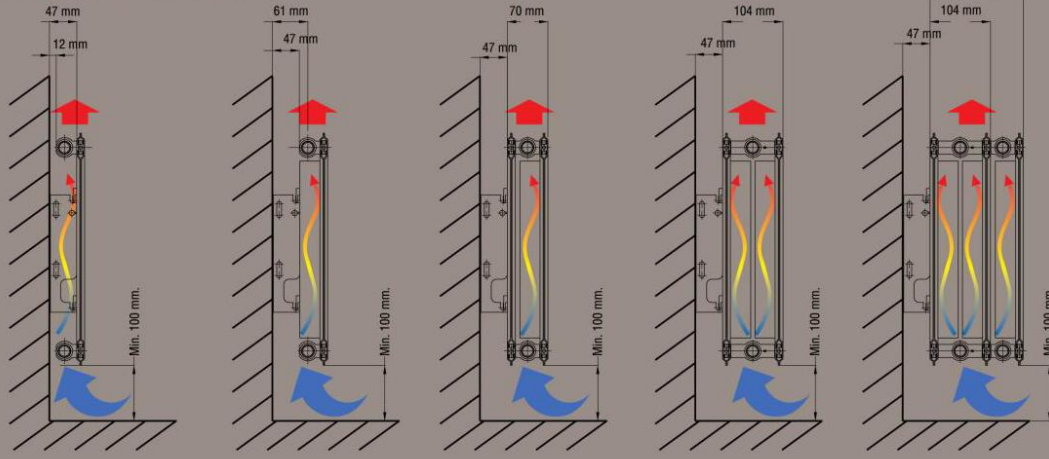


TS EN 442

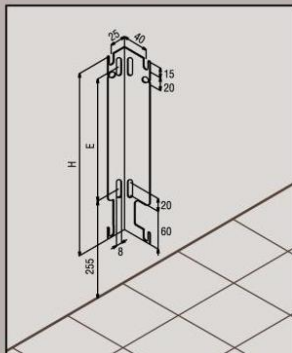
ISO 9001:2000



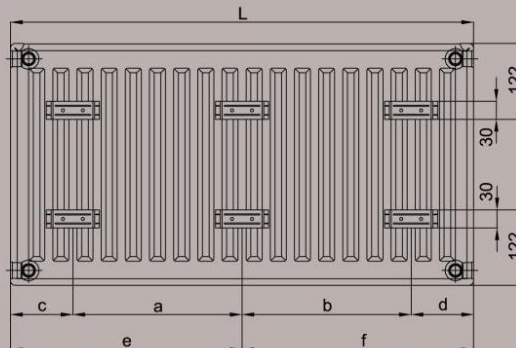
WALL MOUNTING



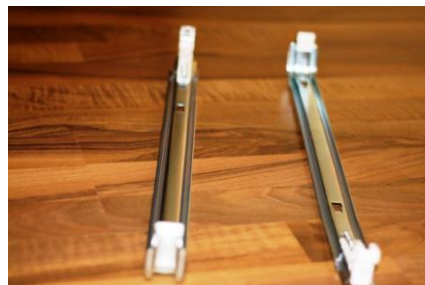
CONSOLE



INSTALLATION KIT



“J” type Wall Brackets (for bottom connection / 6 holes radiators)



Moderatom
PANEL RADIATOR